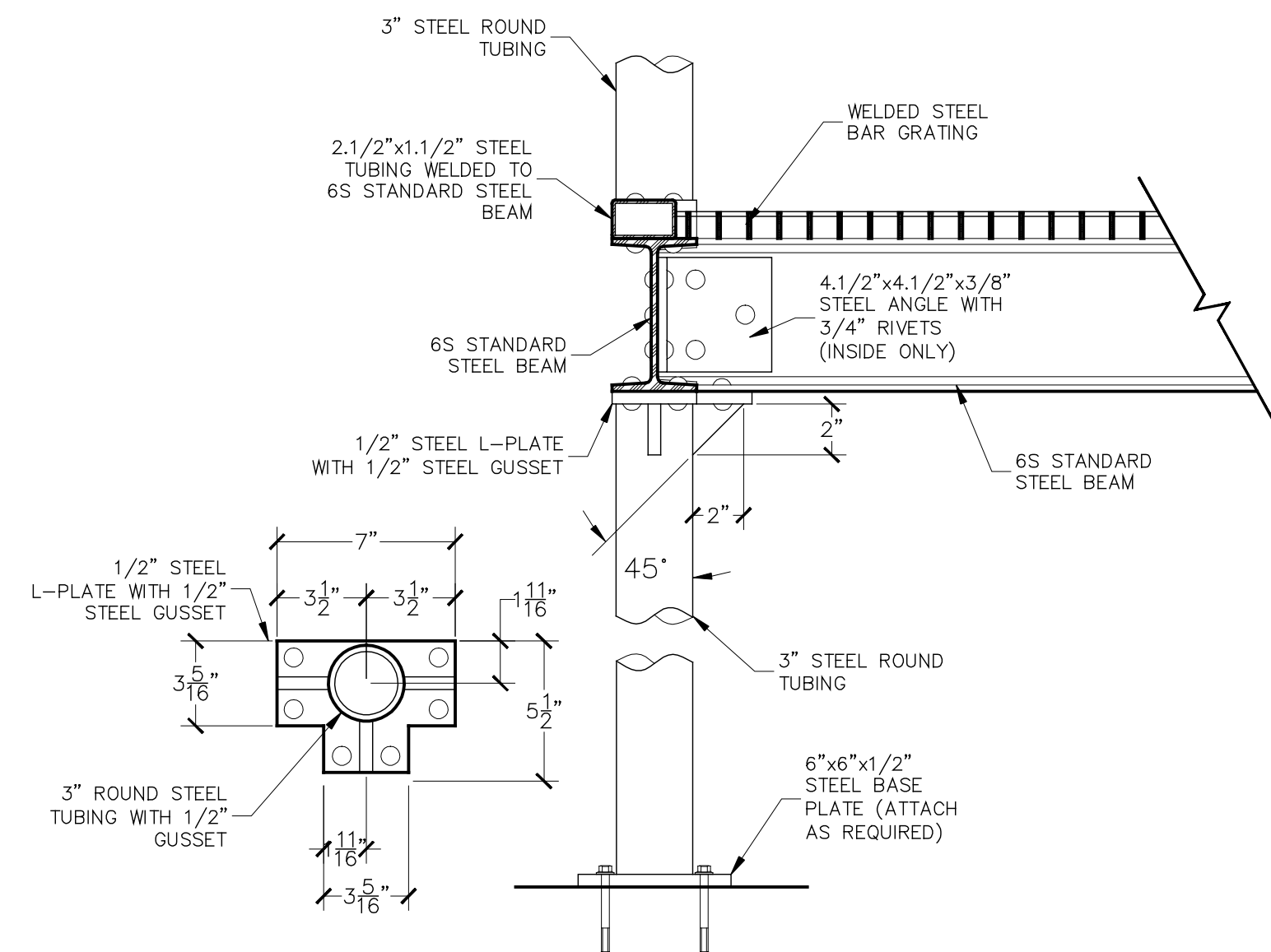
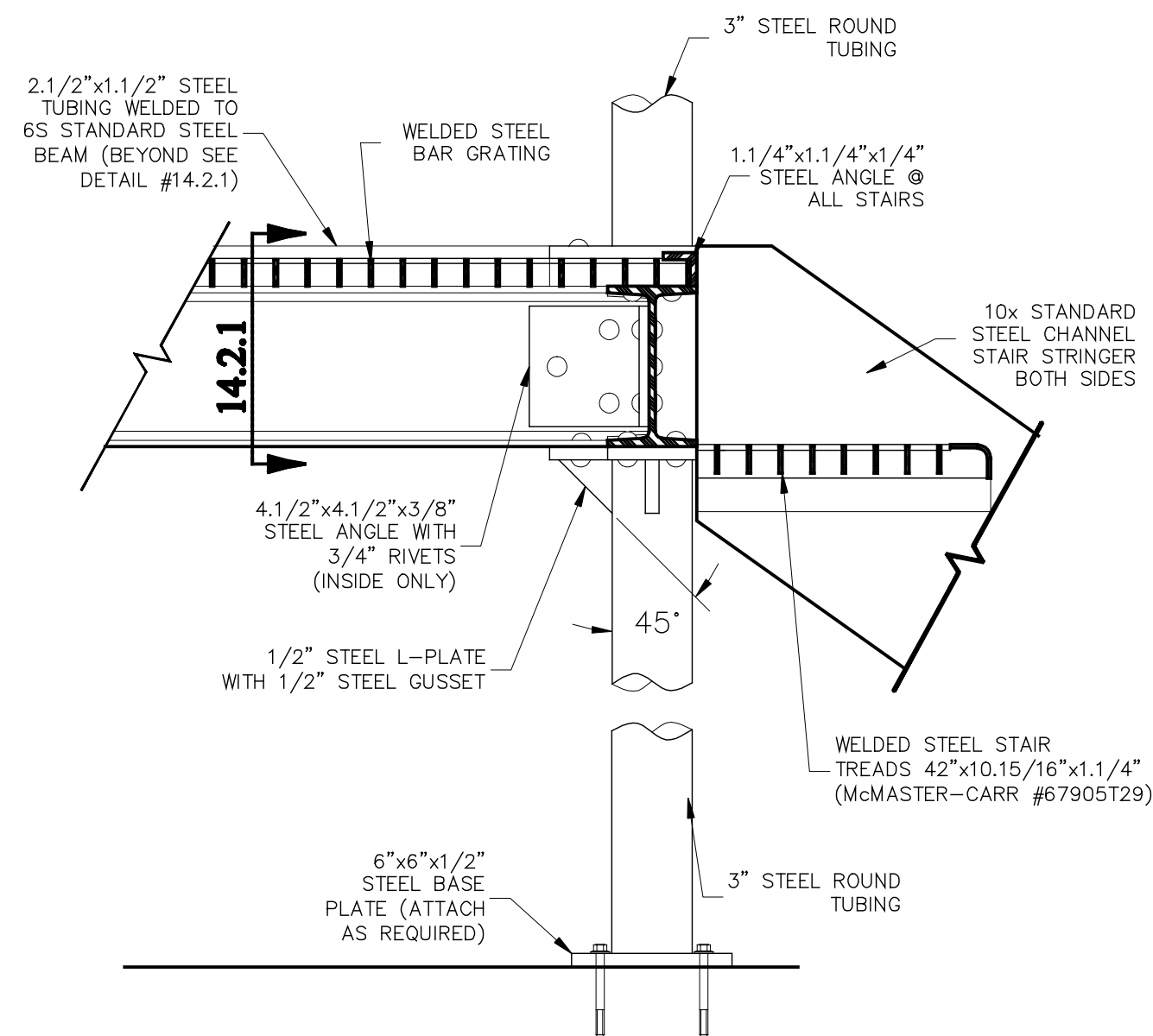


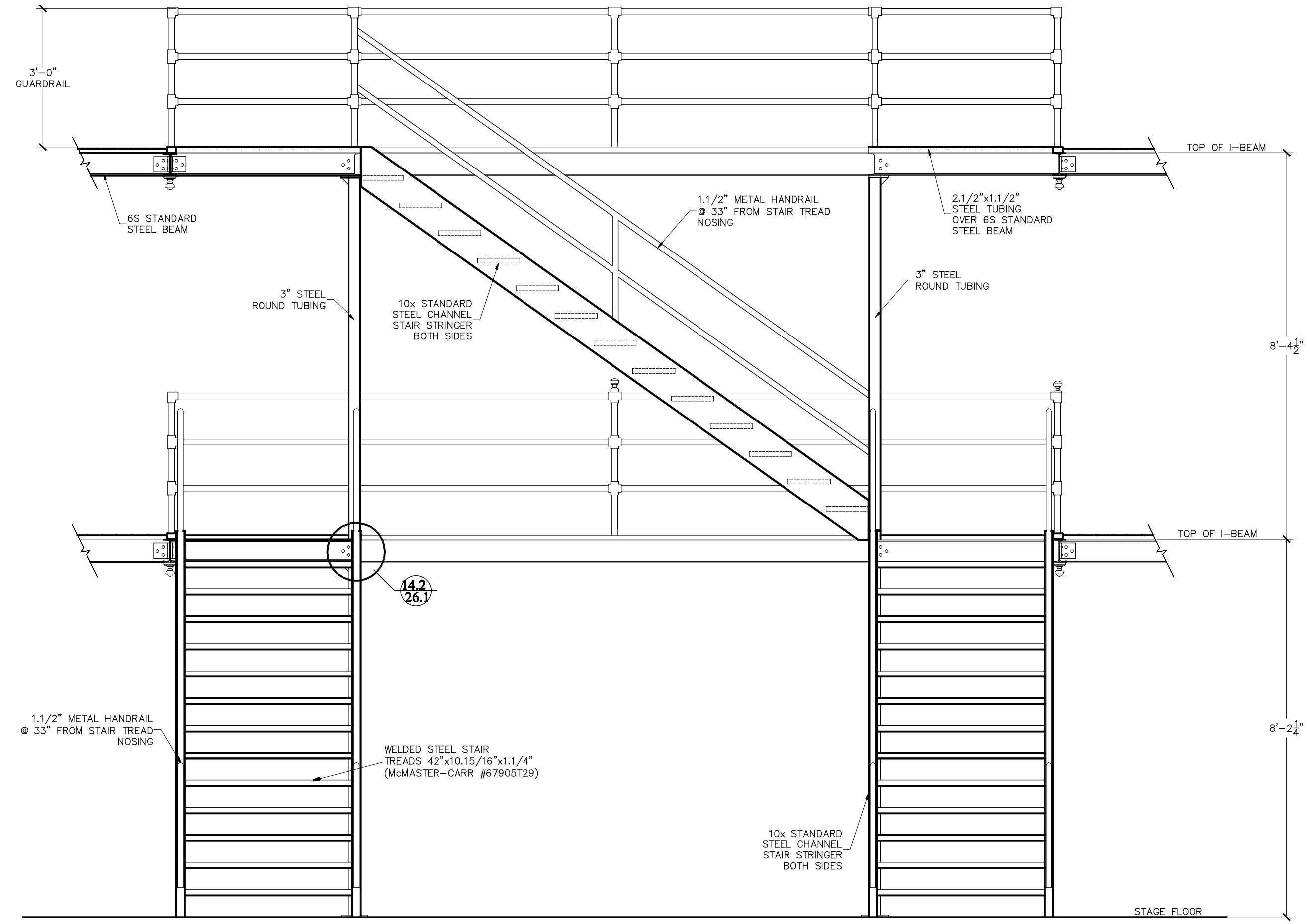
SECTION #14.2.1
SCALE 3" = 1' - 0"



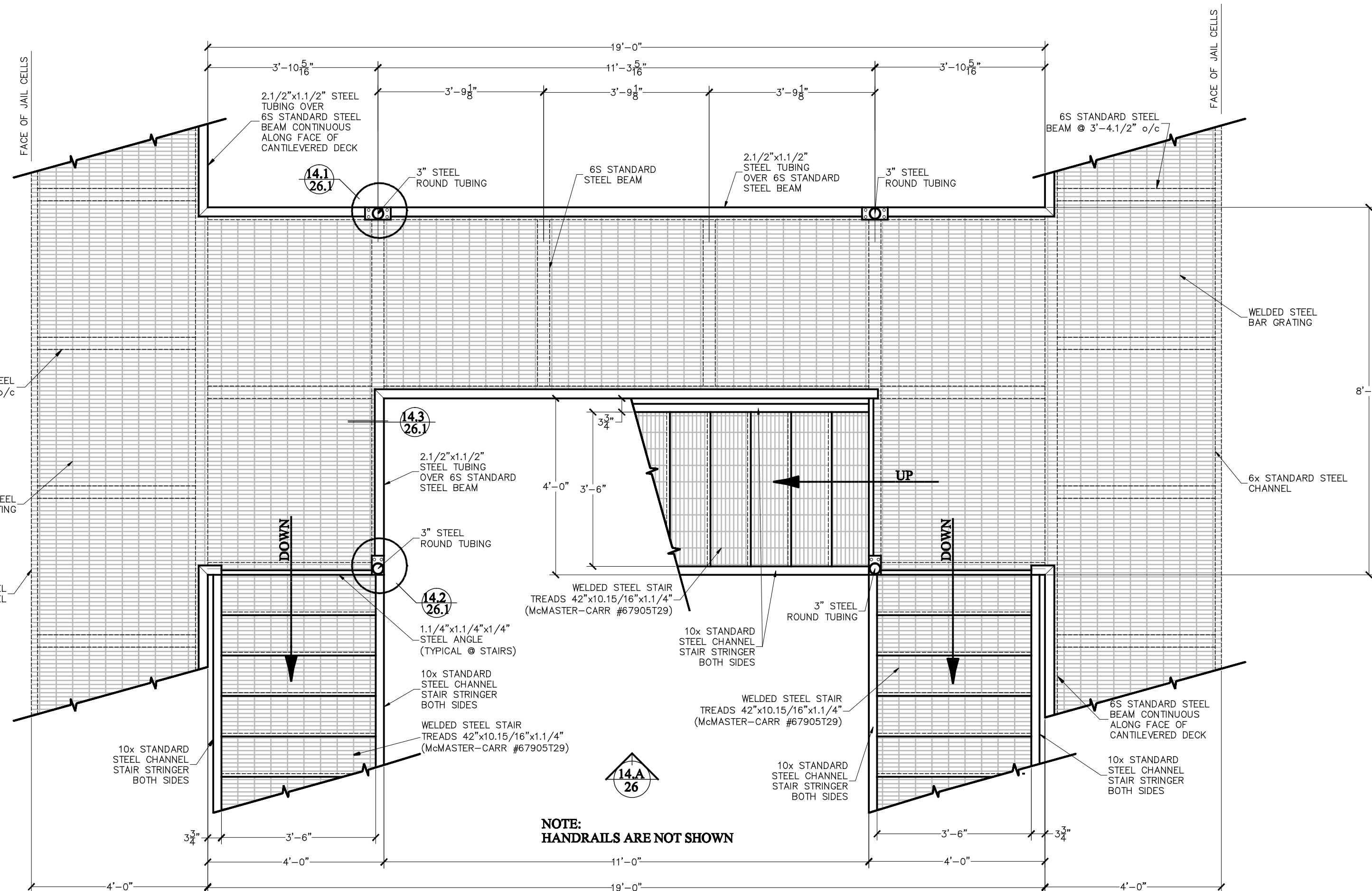
SECTION #14.1.1
SCALE 3" = 1' - 0"



SECTION #14.2.2
SCALE 3" = 1' - 0"



STAIR - BRIDGE UNIT ELEVATION #14.A
SCALE 3/4" = 1' - 0"



STAIR - BRIDGE UNIT SECOND FLOOR PLAN - DETAIL #14
SCALE 3/4" = 1' - 0"