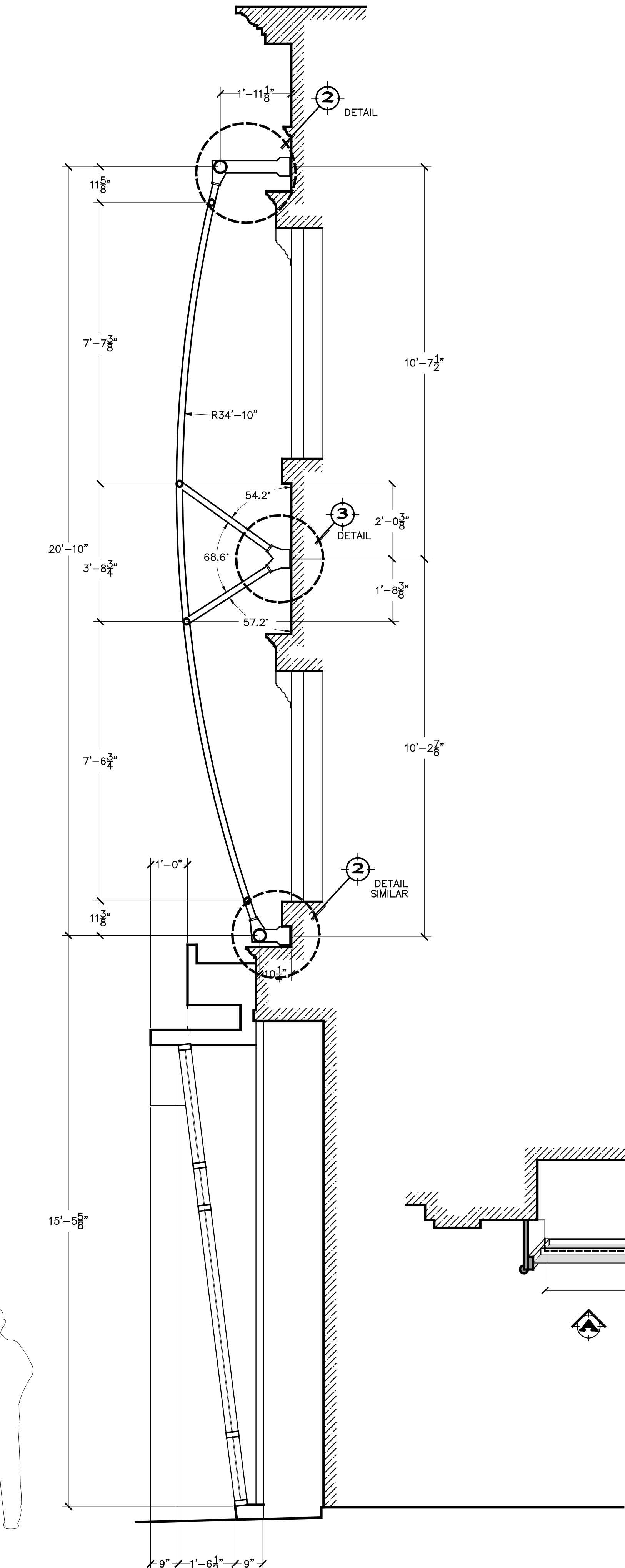
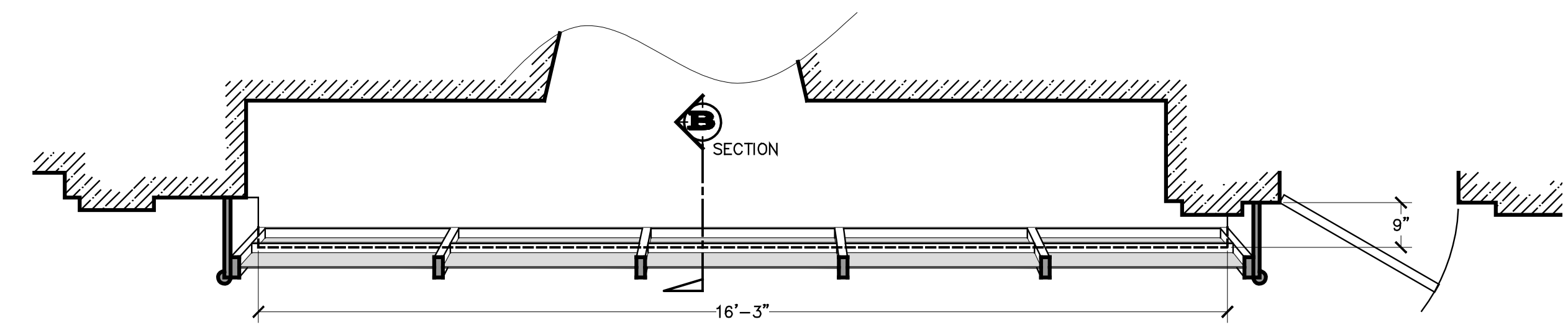




ELEVATION
SCALE 1/2" = 1'-0"



SECTION
SCALE 1/2" = 1'-0"



STORE FRONT - PLAN
SCALE 1/2" = 1'-0"