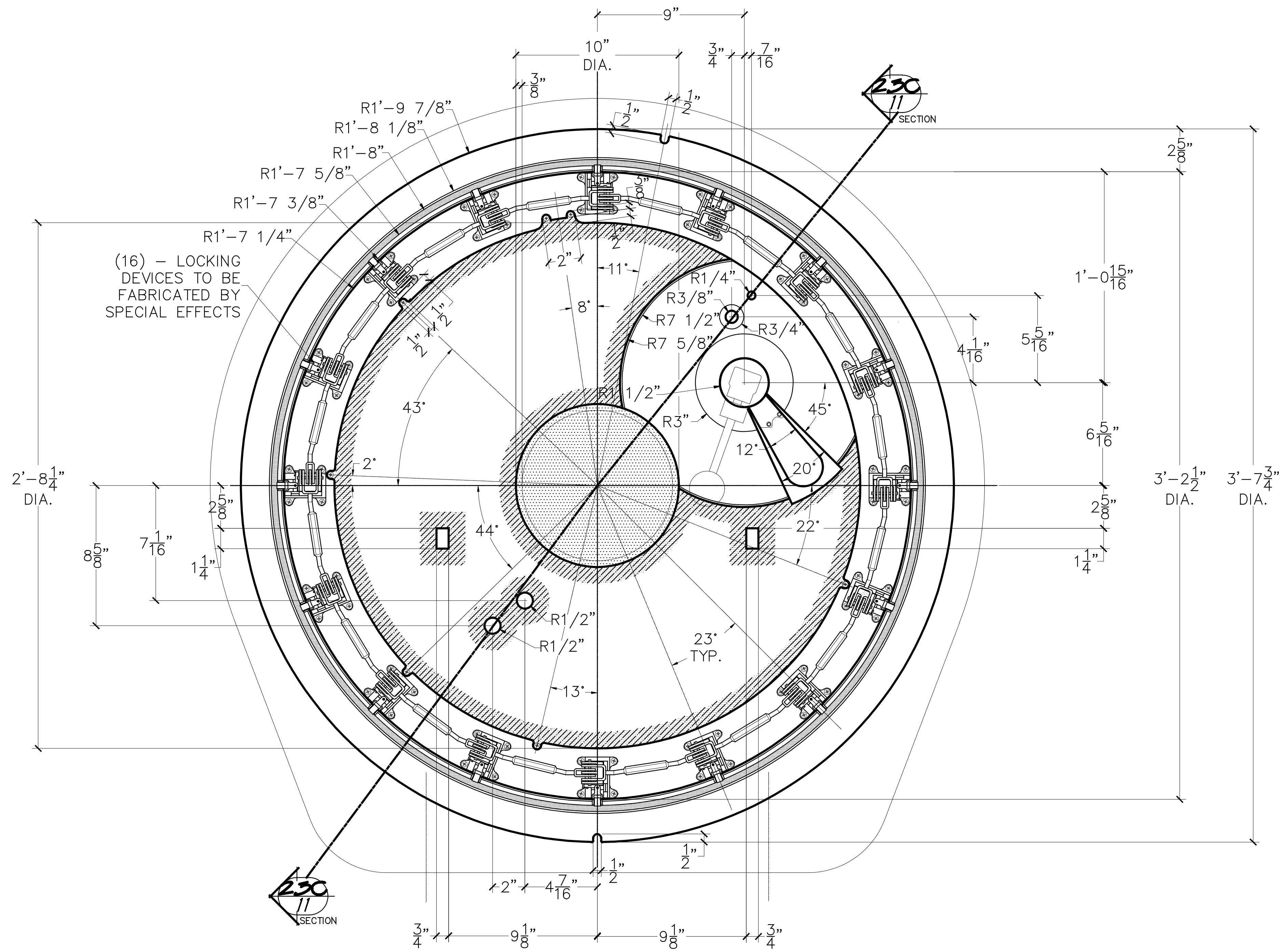


DETAIL (1A) ELEVATION
 SCALE 3" = 1' - 0"



DETAIL (1B) SECTION
 SCALE 3" = 1' - 0"